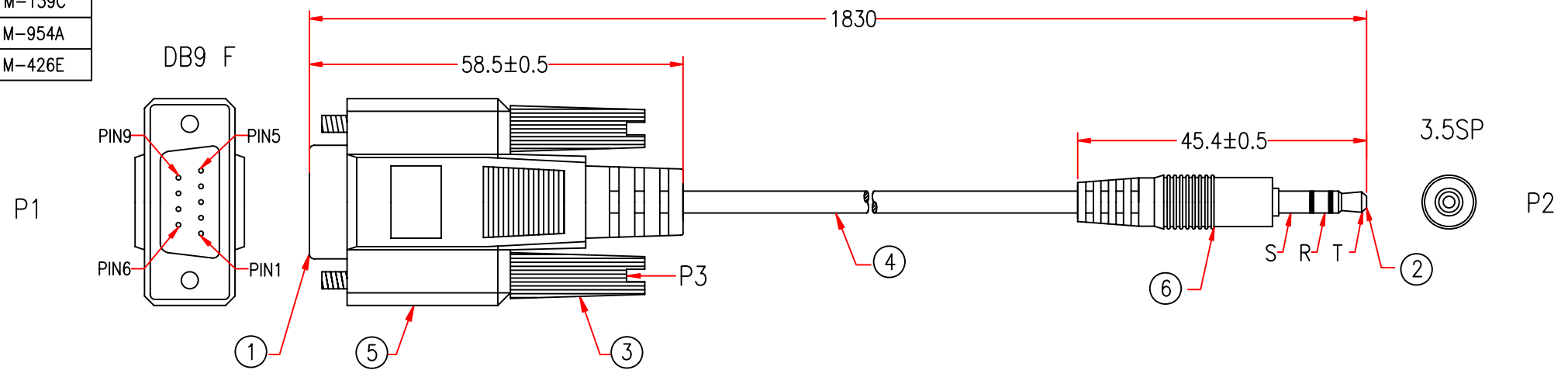


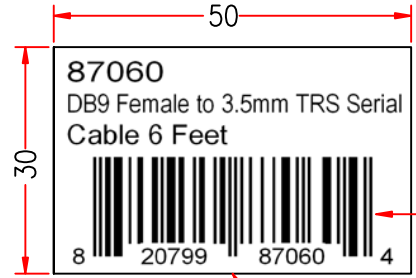
P1:	M-Y139C
	M-139C
P2:	M-954A
P3:	M-426E



PACKING:  
1PCS IN A POLYBAG

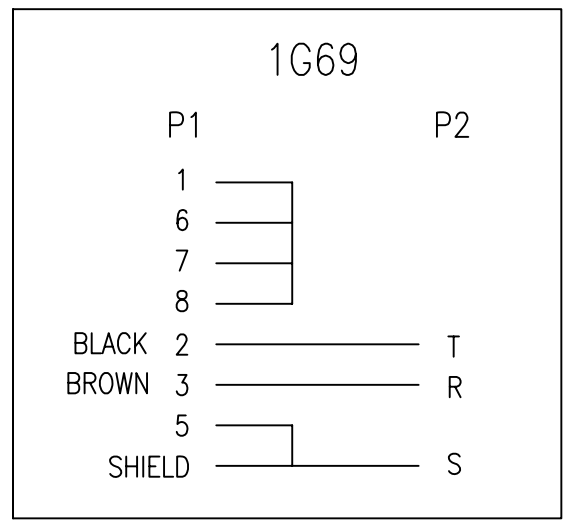


LABEL



BARCODE TYPE: UPCA

LABEL



CABLE MARKING:

E300060 ⚡ AWM 2464 28AWG 80°C 300V VW-1  
CSA 204790 I/II A 80°C 300V FT1 MSL

\*NOTE: All relevant materials are complied with RoHS directive .

6	MOLDED PVC BLACK	H1BF01-0304K09		M304
5	Jumper Wire UL1061/28#/1C x 28mm, ODO.9mm, COLOR WHITE, DRAWING NO. EH002801C-024	H5SE07-0304W01	1	M304
	BLACK PVC TUBE Ø3.0*22mm	H7A001-0304K09	1	M304
	ALUMINUM FOIL 33*65mm	A6MA05-0309	1	M309
	MOLDED PE COLOR TRANSPARENT	A5BA02-7777		M7777
4	MOLDED PVC BLACK	H1BF01-0304K09		M304
	UL2464 2C 28AWG, ALUM-MYLAR FOIL SHIELDING WITH DRAIN WIRE, OD 3.5mm, JACKET BLACK, DRAWING NO. EMAL2802C-006	H5FL25-0304K09	1810mm	M304
3	MOLDED THUMBSCREW #4-40, LENGTH 46.5mm, BLACK	A6AA30-0095	2	M95
2	DC 3.5 STEREO PLUG, GOLD PLATING ON PLUG	A1PA14-0518	1	M518
1	DB9 FEMALE, GOLD FLASH ON CONTACTS AND GOLD CONNECTOR, BLUE INSULATOR	A1AA04-0108U09	1	M108
No.	DESCRIPTION		Q'TY	Supplier

APPROVED		<b>PCCABLES.COM INC</b>	Cable Length Unless Other Spec. Tolerances: 0 ~200mm ±10mm 201~1000mm ±20mm 1001 ~1500mm ±25mm 1501~2100mm ±30mm 2100mm↑ ±40mm		
CHECKED	HU				
DRAWING	XIAO				
DATE	19/OCT/18	ITEM NO.	<b>87060</b>	UNIT:mm	

CHECKED