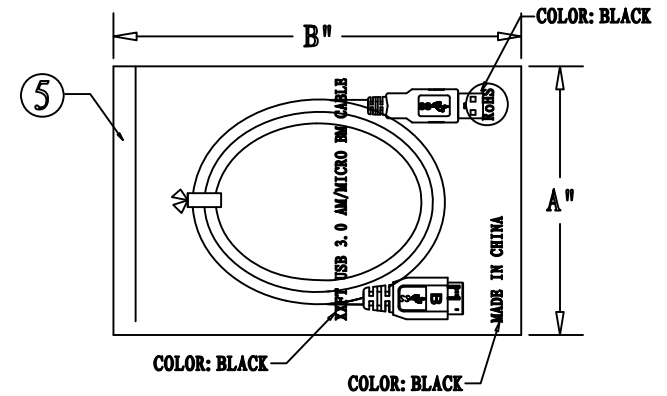
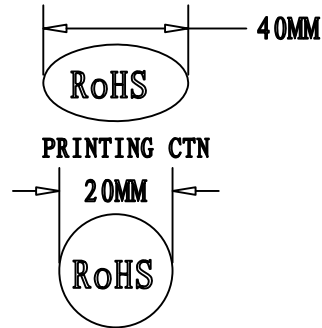
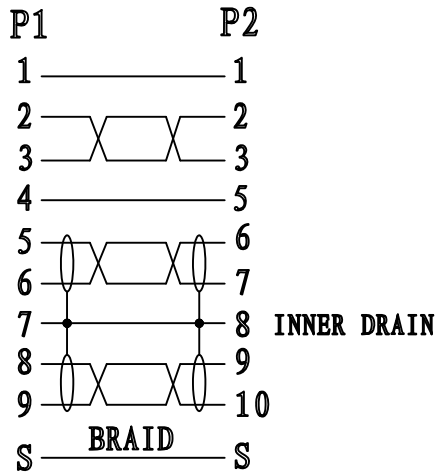


PIN OUT:



PE BAG PRINTING: XXFT USB 3.0 AM/MICRO BM CABLE

PRINTING PE BAG, COLOR: BLACK

RoHS

MATERIAL LIST

NO.	P/NAME	DESCRIPTION	Q' TY
1	CABLE	USB3.0 UL20276 (28AWG*1P+1+AL+MYLAR)*2C+24AWG*2C+30AWG*1P+FILLERS+AL+B OD: 5.5 ± 0.15 BLUE (OT-184) PRINT"RoHS"	1
2	CONN.	USB3.0 "A" TYPE MALE BLUE INSULATION PIN=G/F GOLD CONNECTOR	1
3	CONN.	MICRO USB 3.0 "B" TYPE MALE BLACK INSULATION PIN=G/F GOLD CONNECTOR	1
4	PVC	45P BLUE (OT-184) PVC	18g
5	PACKING	1PCS/PE BAG: 08*A"*B" PE BAG PRINTING BLACK WORD	1

MOLD TOOL NO.			
PCCABLES.COM			
	SCALE	UNIT	REV
		MM	A
FILE NAME	CUSTOMER		
OW1203195			
DATE	CUSTOMER P/N		
11/29/2020			
DRAWN BY			
CHECKED BY			
CONFIRMED BY			
CHECKED BY			
APPROVED BY			