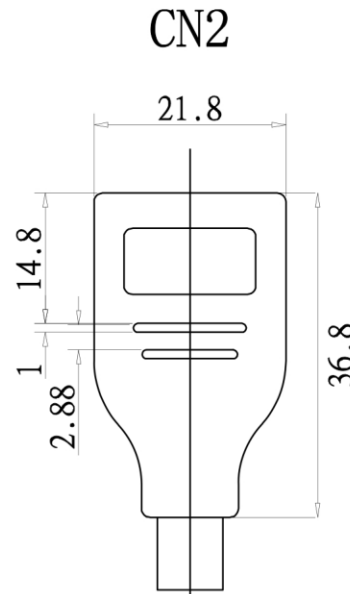
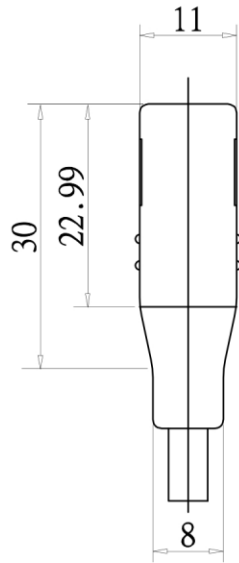
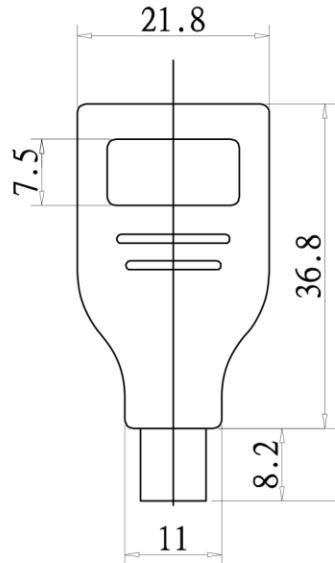
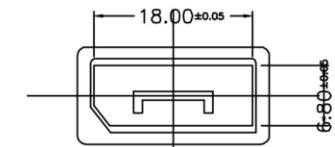


接点图



CN1

CN1	CN2	CN1	CN2
1	2	11	6
2	18	12	12
3	1	13	8
4	13	14	16
5	3	15	7
6	14	16	15
7	5	17	9
8	11	18	17
9	4	19	19
10	10	20	20
		G	G

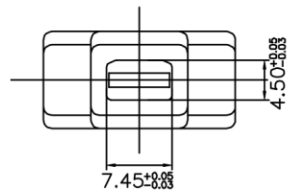
NOTE :

1.SPECIFICATION:

- 1.1.CURRENT RATING: 0.5 Amp Max.
- 1.2.VOLTAGE RATING: 40 V ac(r.m.s) Max.
- 1.3.CONTACT RESISTANCE: 10m ohms Max.mated
- 1.4.INSULATION RESISTANCE:100M ohms Min.
- 1.5.DIELECTRIC WITHSTANDING VOLTAGE:
AC 500V Min. (for 1 minute)
- 1.6.OPERATION TEMPERATURE RANGE: -25°C~85°C

2.MECHANICAL

- 2.1 INSERTION FORCE: 4.5KGF MAXMUM
- 2.1 WITHDRAWAL FORCE: 1.0KGF MINIMUM; 4.0KGF MAXMUM



				Edition A0	PCCABLES.COM INC						
				SCALE							
				UNIT mm	DIM	TOL	DIM	TOL	PART NO. 01808	DWG NO.	DATE 2016/03/14
				Page 1/1	X	±0.20	X"	±4.0"			
				产品编码	X.X	±0.15	X.X"	±3.0"	DRAWN	CHECKED	APPRD
项次NO.	品 称 NAME	规格	备注 REMARK	100001172	X.XX	±0.05	X.XX"	±2.0"			
					X.XXX	±0.005	X.XXX"	±1.0"			